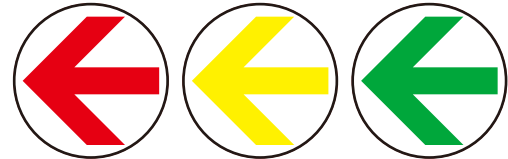
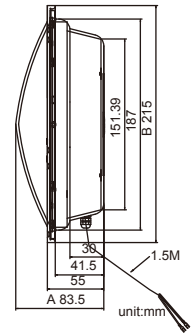
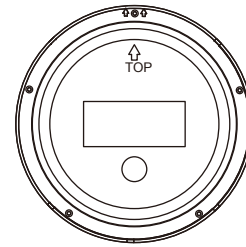




Arrow Signals

Specifications

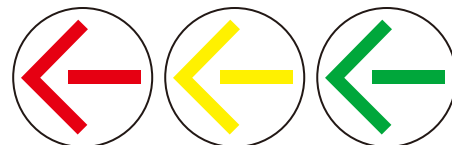
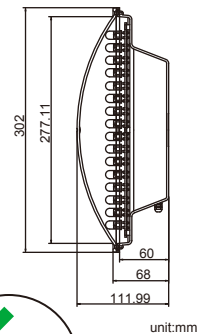
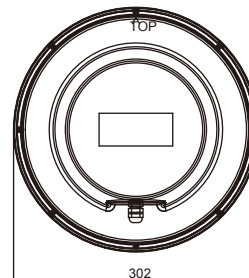
- Operates at -40°C to +74°C.
- UV stabilized scratch resistant shell.
- Operating Voltage Range: 80V~250V.
- Moisture and Dust Ingress: Meet IP65.



| Color | Model Number | Description | Size | Power Consumption (Watt) | Luminous Intensity (cd) |
|-------|--------------|-------------|------------|--------------------------|-------------------------|
| Green | TRA-G08DF-N2 | 8" Arrow | 8" /200 mm | < 12 | 200 |
| Amber | TRA-Y08DF-N2 | 8" Arrow | 8" /200 mm | < 10 | 200 |
| Red | TRA-R08DF-N2 | 8" Arrow | 8" /200 mm | < 10 | 200 |

Specifications

- Operates at -40°C to +74°C.
- UV stabilized scratch resistant shell.
- Operating Voltage Range: 80V~250V.
- Moisture and Dust Ingress: Meet IP65.



| Color | Model Number | Description | Size | Power Consumption (Watt) | Luminous Intensity (cd) |
|-------|--------------|-------------|-------------|--------------------------|-------------------------|
| Green | TRA-G12DF-T2 | 12" Arrow | 12" /300 mm | < 10 | 150 |
| Amber | TRA-Y12DF-T2 | 12" Arrow | 12" /300 mm | < 9 | 150 |
| Red | TRA-R12DF-T2 | 12" Arrow | 12" /300 mm | < 9 | 150 |

Headquarters

5F, No. 1, Creation Road II, Hsinchu Science Park,
Hsinchu, Taiwan 300, R.O.C.
Tel : 886-3-5679000 Fax: 886-3-5679999
E-mail: Service@eoi.com.tw http://www.eoi.com.tw

U.S. Office

1400 W. Lambert Road, Suite B,
Brea, CA92821, U.S.A.
Tel : 1-562-694-1246 Fax: 1-562-691-3087
E-mail: Sales@eoius.com http://www.eoi-us.com

China Factory

Lianxinfeng Opto. Co., Ltd.
Bldg. No. 15, Tongfuyu Industrial Park,
Longhua, Shenzhen, P.R.C.
Tel : 86-755-2814-0029 Fax: 86-755-2814-0027



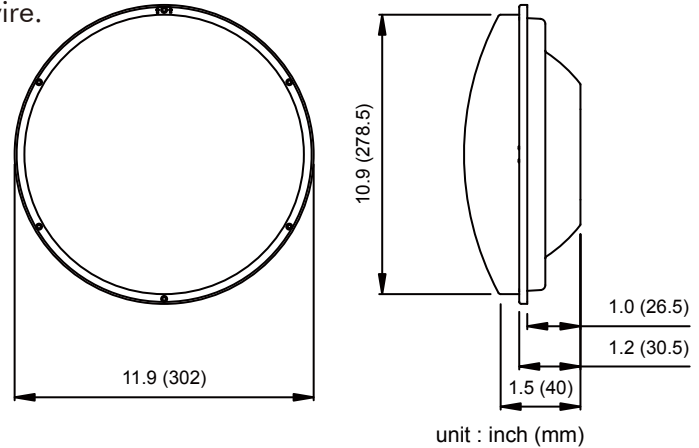
12 Inch Incandescent Look LED Arrow Signals

Features/Benefits

- 90% reduction in power vs. incandescent.
- Long life ; Up to 10 times longer than incandescent.
- Uniform non-pixelated illumination and incandescent look.
- Expanded view radiation pattern suitable for span wire.
- Easy to install into existing signal enclosure.

Specifications

- Operates at -40°C to +74°C.
- UV stabilized scratch resistant shell.
- Fuse and transient suppressor incorporated for line and load protection.
- Power Factor greater than 0.9.
- Operating Voltage Range: 80V~135V.
- Total Harmonic Distortion < 20%.
- Meet Fcc Title 47. Subpart B Section 15 Regulations for Electrical Noise.
- Turn on / Turn off Time < 75 msec.
- Conform to MIL-STD-810F for blowing rain.
- Conform to MIL-STD-883, Test method 2007, For mechanical vibration.
- Conform to MIL-STD-883, Test method 1010, Temperature cycling requirement.



| Color | Model Number | Lens Type | Size | Power Consumption Typical(Watt) | Dominant Wavelength Typical(nm) | Peak Minimum Maintained Luminous Intensity (cd) | Meet ITE/Caltrans Spec. |
|-------|----------------|-----------|--------------|---------------------------------|---------------------------------|---|-------------------------|
| Red | TRA-R12DG-IN | Tinted | 12" / 300 mm | 6.5 | 623 | 58 | ✓ |
| Amber | TRA-Y12DG-IN | Tinted | 12" / 300 mm | 9 | 590 | 146 | ✓ |
| Green | TRA-G12DG-IN | Tinted | 12" / 300 mm | 6.5 | 500 | 76 | ✓ |
| Green | TRA-G12DG-IN-C | Clear | 12" / 300 mm | 6.5 | 500 | 76 | ✓ |

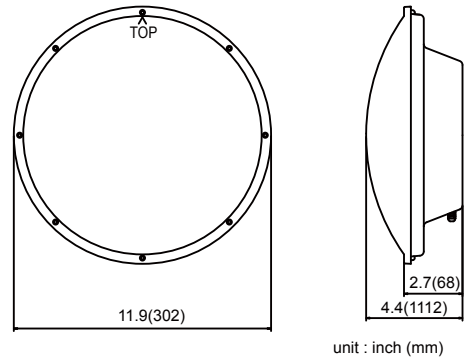


Meet Caltrans, ITE Signals

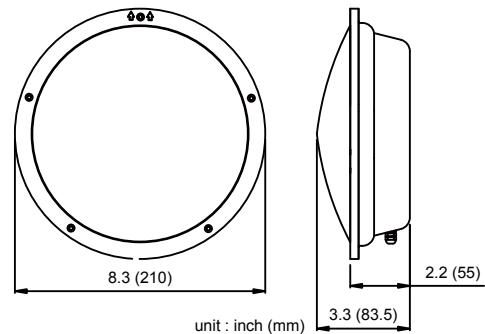
Specifications

- Operates at -40°C to $+74^{\circ}\text{C}$.
- UV stabilized scratch resistant shell.
- Fuse and transient suppressor incorporated for line and load protection.
- Power Factor greater than 0.9.
- Operating Voltage Range: 80V~135V.
- Total Harmonic Distortion < 20%.
- Meet Fcc Title 47. Subpart B Section 15 Regulations for Electrical Noise.
- Turn on / Turn off Time < 75 msec.
- Voltage Turn off < 70 V.

12" Vehicle Traffic Signals



8" Vehicle Traffic Signals



| Color | Model Number | Description | Size | Power Consumption (Watt) | Dominant Wavelength (nm) | Minimum Luminous Intensity |
|-------|--------------|-------------|--------------|--------------------------|--------------------------|----------------------------|
| Red | TRV-R12EG-A | 12" Ball | 12" (300 mm) | < 11 | ≥ 623 | 399 cd |
| Red | TRA-R12DG-G | 12" Arrow | 12" (300 mm) | < 9 | ≥ 623 | 5500 cd/m ² |
| Red | TRV-R08EG-J | 8" Ball | 8" (200 mm) | < 8 | ≥ 623 | 157 cd |
| Amber | TRV-Y12EG-A1 | 12" Ball | 12" (300 mm) | < 15 | 586~592 | 798 cd |
| Amber | TRA-Y12DG-G | 12" Arrow | 12" (300 mm) | < 9 | 586~592 | 11000 cd/m ² |
| Amber | TRV-Y08EG-N2 | 8" Ball | 8" (200 mm) | < 13 | 586~592 | 314 cd |
| Green | TRV-G12EG-B2 | 12" Ball | 12" (300 mm) | < 15 | 499~508 | 798 cd |
| Green | TRA-G12DF-G | 12" Arrow | 12" (300 mm) | < 10 | 499~508 | 11000 cd/m ² |
| Green | TRV-G08EG-N | 8" Ball | 8" (200 mm) | < 12 | 499~508 | 314 cd |

Headquarters

5F, No. 1, Creation Road II, Hsinchu Science Park,
Hsinchu, Taiwan 300, R.O.C.
Tel : 886-3-5679000 Fax: 886-3-5679999
E-mail: Service@eoi.com.tw http://www.eoi.com.tw

U.S. Office

1400 W. Lambert Road, Suite B,
Brea, CA92821, U.S.A.
Tel : 1-562-694-1246 Fax: 1-562-691-3087
E-mail: Sales@eoius.com http://www.eoi-us.com

China Factory

Lianxinfeng Opto. Co., Ltd.
Bldg. No. 15, Tongfuyu Industrial Park,
Longhua, Shenzhen, P.R.C.
Tel : 86-755-2814-0029 Fax: 86-755-2814-0027